

AT 02

The vehicle weighing system based on card readers and LED displays



 GS SOFTWARE

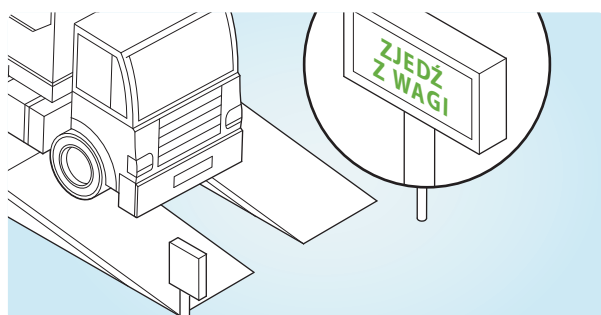
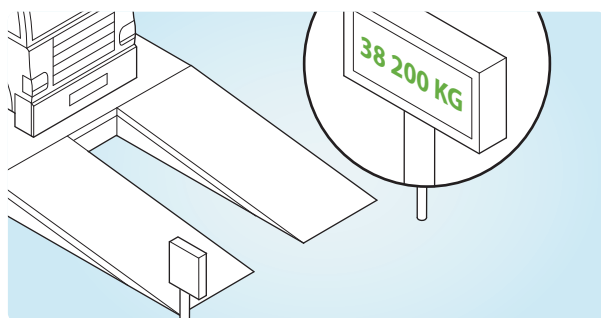
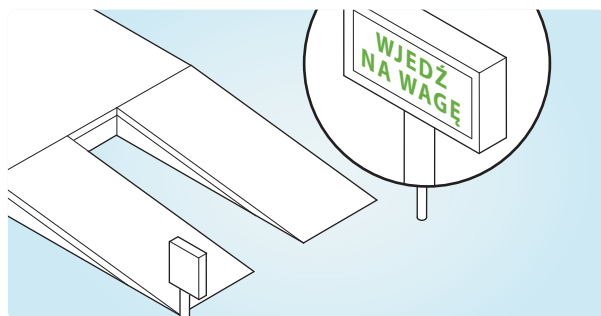
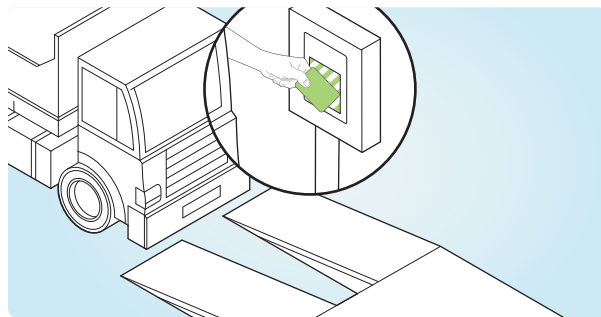
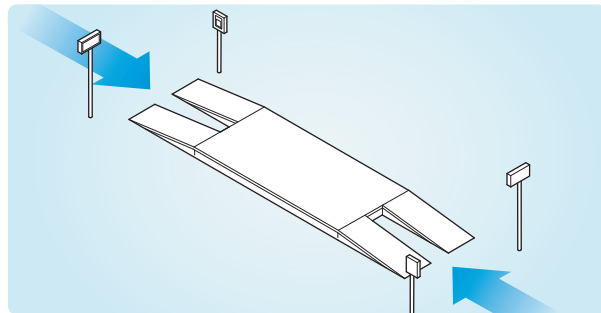
AT 02

The vehicle weighing system based on card readers and LED displays



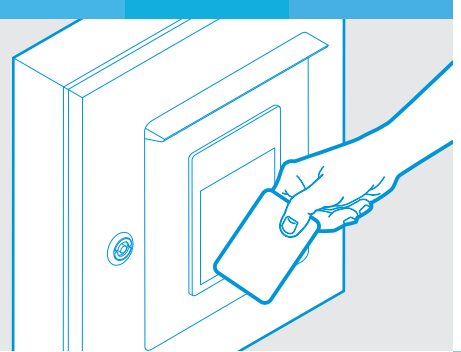
→ System AT-02 operating procedure:

1. If driver has no card entitling him to capture weight (i.e. vehicle will be weighed for the first time) he proceeds to scale attendant's office to register into a system. After registering he receives card and moves towards the scale.
2. Vehicle moves onto the scale and driver swipes card in front of a RF reader through vehicle's side window. After correct card identification, display indicates : "ENTER THE SCALE" command.
3. When vehicle moves onto the scale, displays indicate gross weight value.
4. When vehicle pulls up to get stable measurement, weighing record is saved in a database, LED display firstly indicates: "OK" then "EXIT THE SCALE" command.
5. After loading and unloading, vehicle returns on scale and the weighing process is repeated in reverse direction.



AT 02

The vehicle weighing system based on card readers and LED displays




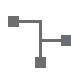



➔ System AT-02 includes:

- 2 external proximity card readers in a plastic casing
- 2 external diode displays in a stainless steel casing (digit height: 160 mm)
- Steering module in a metal box
- Software
- Proximity card reader (on a desk) – USB connector
- 100 proximity cards

i System AT 02 turns out to be particularly useful among companies with extra large traffic flow on industrial

➔ Additional features:

-  Taking photos while recording the weight result
-  Industrial printer with the cut-off
-  Vehicle position adjustment mechanism
-  Possibility to steer traffic control signals and barrier gates
-  Vehicle weight recognition module
-  Online data access
-  Network (e.g. connecting entrance and exit scale)
-  System customization available on request